

Item number / CE.SFL.2-15

CERPRIS - 30W LED Twin Spot Wall Light, Standard and PIR sensor, CCT selectable 3000K, 4000K, 5000K, IP65 White and Black Housing

With the Functions of D2D (Dusk to Doan) , and Manual switch PIR sensor These great looking outdoor LED spotlights provide both energy efficiency and security, available in both Black &White.

Quicker & Easier fit out with separate deeper base with a push in connection style.

Available in Standard without PIR sensor and can add or remove it

It has adjustable sensitivity, hold time & lux settings for different environmental conditions.

Application

Residential, commercial Outdoor areas



Design Specifications

BRAND : CERIAN

CERPRIS SECURITY LIGHT 30W



Wattage	30W	Tri-Colour Changeable	yes
Luminous	2950Lm/w	Colour Temp	3000k-4000K-5000K
Dimmable	no	Cut-out	surface mount
IP Rated	65	CRI	+85
Frequency	50/60Hz	Power Factor	0.9
LED Type	COB	Beam Angle	90
Working Temp	-20C-+45C	Input Voltage	AC 220-265V
Safety Class	II	Material	Aluminium
warranty	3 years	Product Dimension	165*125*145mm
Optional	sensor PIR	Lifespan (hours)	30,000



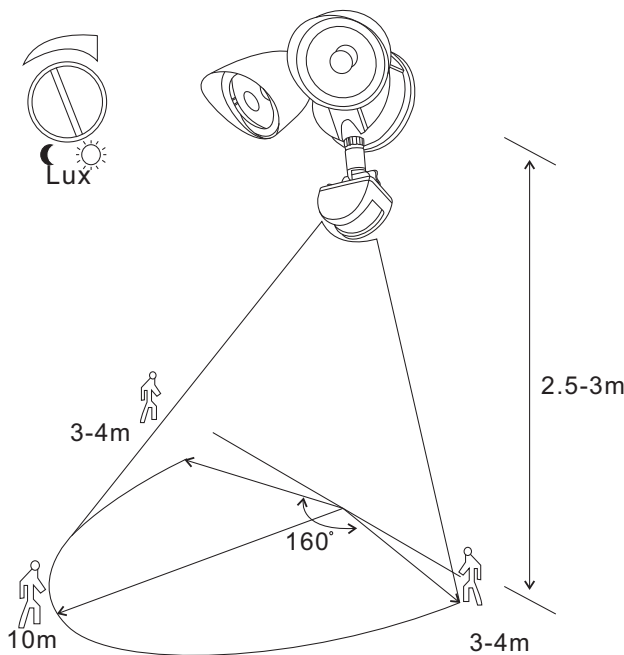
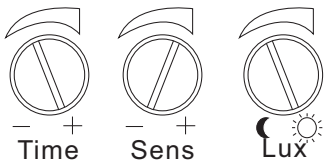
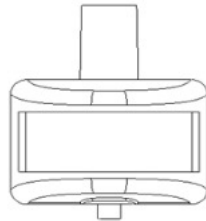
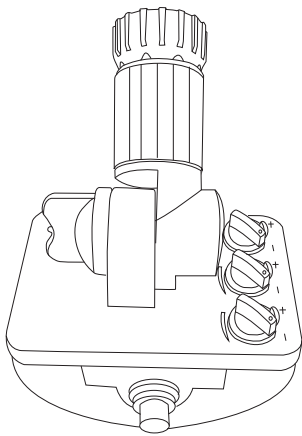
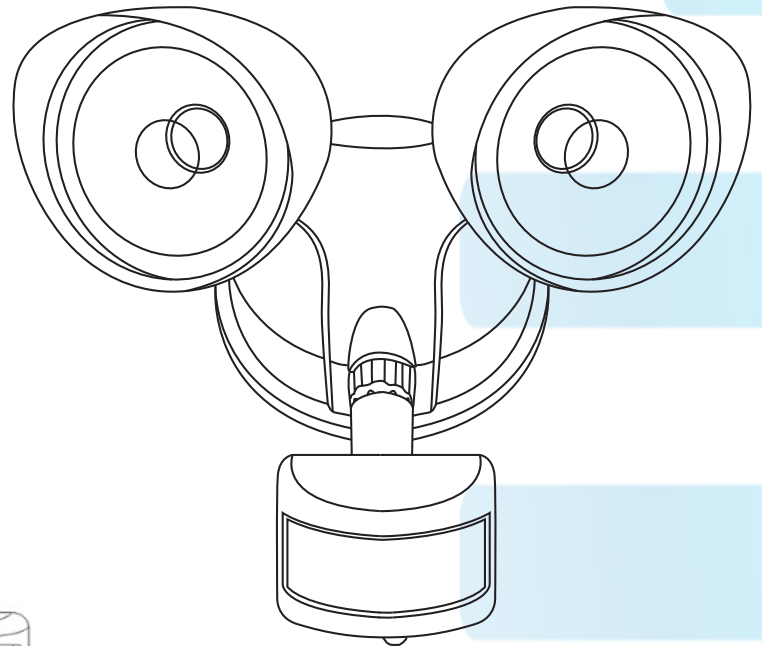
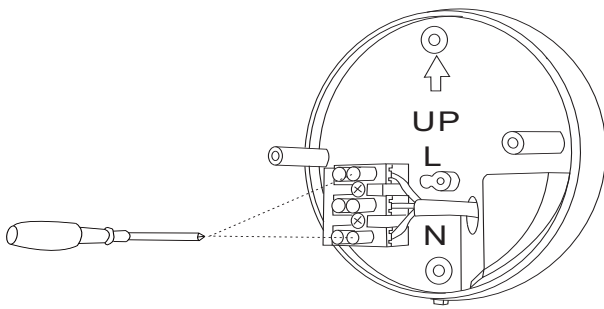
Performance

High lumens 100lm/W, IP65

Technical Specification

Item No	description	wattage	CCT	material	CRI	PF	dimensions
CE.SFL.2-15.WH	White Twin Spot Security Light Quick Connect Base Special Design Aluminium Housing.	30W	tri-colour	Aluminum	+85	0.9	165*125*145mm
CE.SFL.2-15.Bk	Black Twin Spot Security Light Quick Connect Base Special Design Aluminium Housing.	30W	tri-colour	Aluminum	+85	0.9	165*125*145mm
CE.SFL.2-15.S1.W	white D2D PIR sensor	/	/	PC	/	/	60*40*60mm
CE.SFL.2-15.S1.B	black D2D PIR sensor	/	/	PC	/	/	60*40*60mm

Dimensions



Features:

- * 3cct-3000k,4000k&5000k
- * Quick Connecting Base/Fitting
- * IP54-Fitting & PIR sensor
- * Manual Switch (PIR sensor)

Applications:

- * Garages & Workshops
- * Patio & Deck areas
- * Garden & driveway paths
- * Sign Illumination Construction:
- * Aluminium light body
- * Polycarbonate lens and glass covers.

PIR Settings:

- * Time Duration 10s to 10min
- * Lux Adjustment range 10 – 2000 Lux
- * Mounting Height range 1.5m to 3m
- * Detection Angle 160 degrees
- * Sensor Detection range 10m

setting And testing

The sensor is an energy-saving automatic switch, that is using integrated circuits, precision detection elements and SMD technology. It has stable performance, can recognize day and night, automatic work. When someone enters the infrared sensor sensing range, the special sensor detects changes in the infrared spectrum of the human body, and the switch automatically switches on the load. When the person leaves or there is no action in the sensing area, the load is automatically turned off

- 1, Turn the LUX control knob to day position, turn the wall switch on and wait half a minute for the control circuit to stabilize. At this stage ensure that the TIME control knob is set at minimum. The spotlights will now switch on and will remain on for about 15 seconds @100% brightness, When the person walks horizontally in front of the sensor, the light will turn on, the light will be 100% bright, When the person will leave the sensing area, and the brightness will remain 20% brightness after a delay of about (10 seconds-10Mins) could be adjustable. That's what we called **HOME MODE**.
- 2, To set the light level at which the SPOTLIGHT will automatically switch "on "at night, turn the LUX control knob from daylight to night. If the spotlights are required to switch on earlier, e.g. Dusk, wait for the desired light level, then Slowly turn the LUX control knob towards daylight while someone walks across the centre of the area to be detected. When the spotlights switch on, release the LUX control knob. You may need to make further adjustments to achieve your ideal light level setting.
- 3, Sensitivity control knob (SENS), adjust the sensor's sensing min(-)sensing distance of about 4 meters, the max (+) sensing distance of about 10 meters.
- 4, The min(-) SNES control knob is **D2D MODE**, it's up to light control. No light up during the day, automatic light at night. The sensing function is invalid.
(DUSK TO DAWN)
- 5, The Delay control knob (TIME), from 10sec-10min adjustment. Has the induction of 100% brightness, after the delay to maintain 20% brightness.
- 6, The Light control knob (LUX), adjustable from 3LUX-2000LUX.
- 7, Manual Switch (PIR) OFF the light is always on, turn off then turn it into induction mode.

